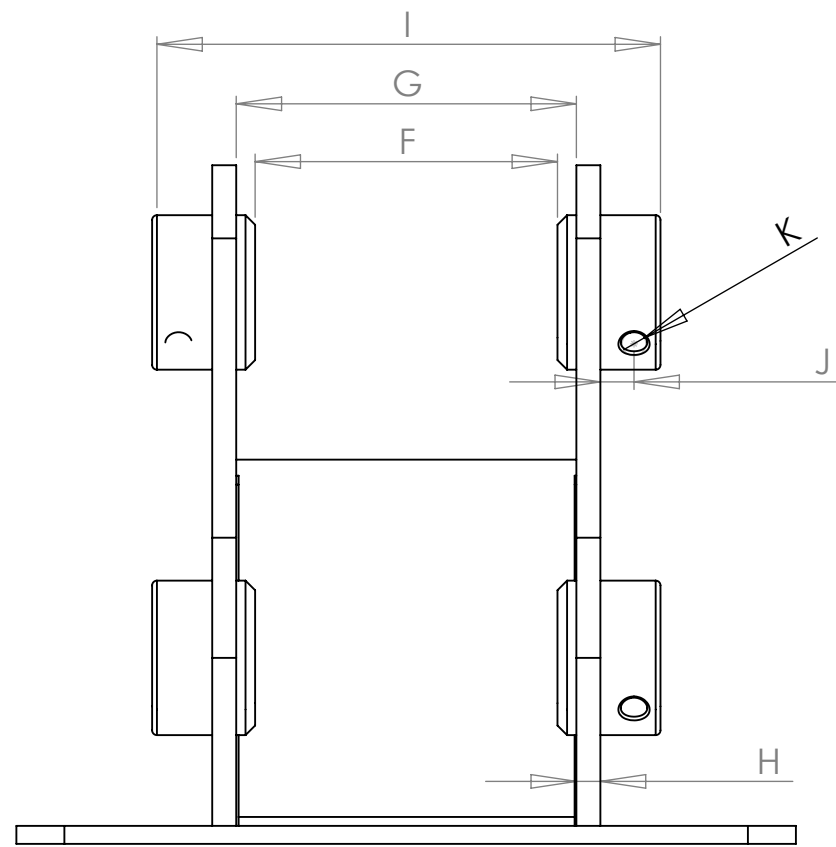


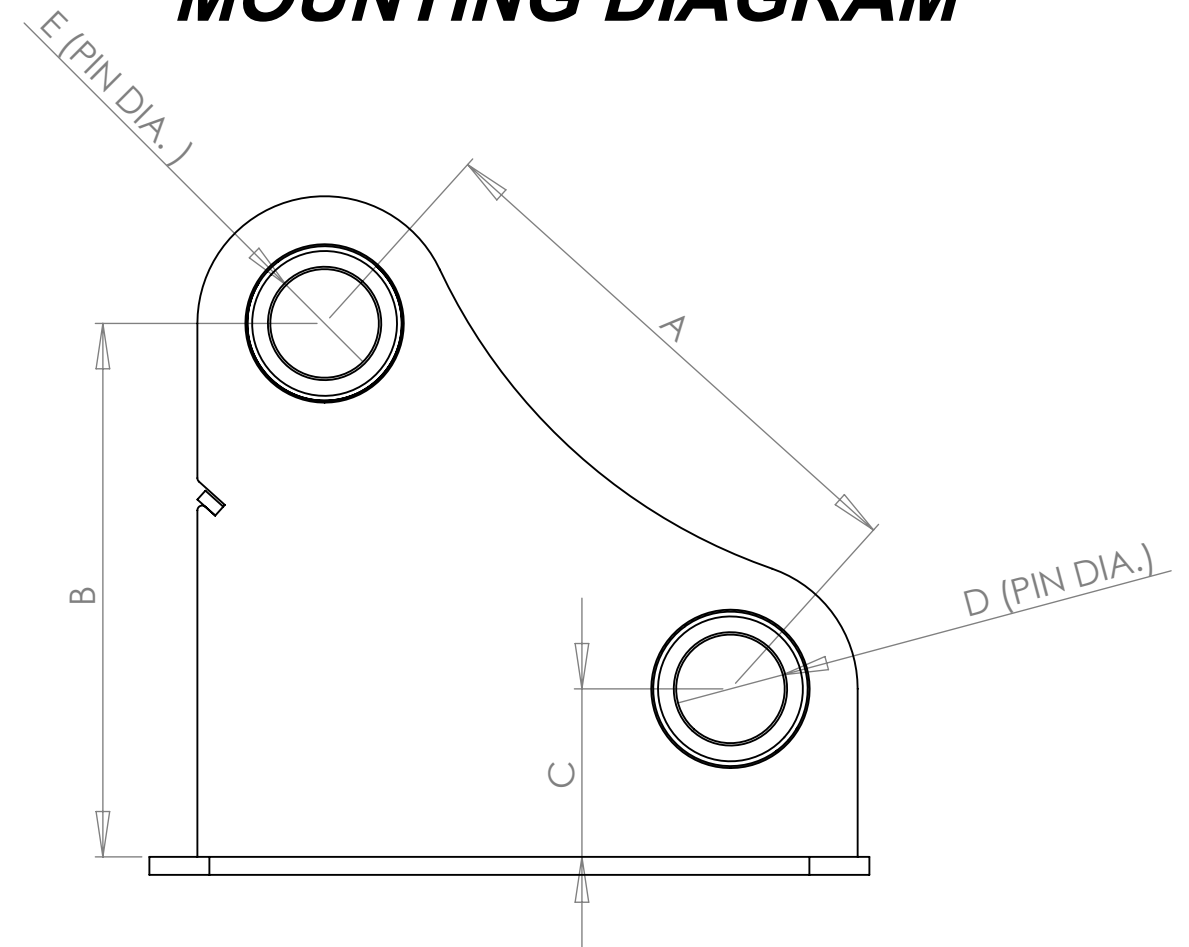
REAPER ATTACHMENTS LLC. MOUNTING DIAGRAM



Parent machine Make & Model	
Parent machine Weight	LBS.
Mower Mode/Fl Ordered with REAPER ATTACHMENTS	
Available aux. oil flow & pressure	GPM @ PSI.

CHECK ONE
MEASUREMENTS ARE GIVEN IN : _____ INCH _____ MM

A	G
B	H
C	I
D	J
E	K
F	



Due to the large range of machine , makes, models and designs on the market this Mount diagram must be completed by the customer to insure that Reaper Attachments provides you with an accurate mount that fits your Specific type of machine. It is our customers responsibility to ensure that all dimenstions. provided are correct . Future modifcations to mounts that are different than Originally specified by the customer will be at an added expense.

CUSTOMERS SIGNATURE: _____ **DATE:** _____